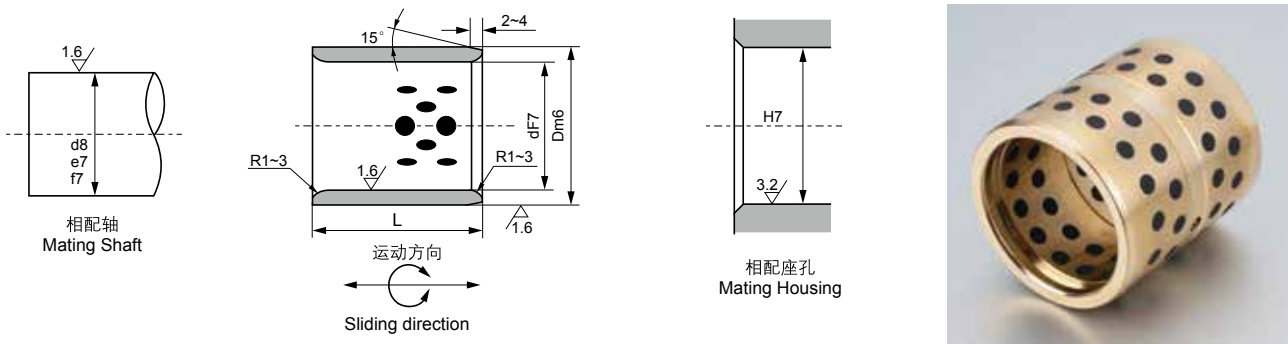


# KSOB650 自润滑直套轴承标准公制尺寸 KSOB650 Self-lubricating Sleeve Bearings Standard Metric Size



单位Unit: mm

d	D	d F7	D m6	L $\begin{matrix} -0.10 \\ -0.30 \end{matrix}$														
				8	10	12	15	16	20	25	30	35	40	50	60	70	80	
8	12	8	12		081208	081210	081212	081215										
10	14	10	14	+0.018 +0.007	101408	101410	101412	101415	101416	101420								
12	18	12	18			121810	121812	121815	121816	121820	121825	121830						
13	19	13	19			131910	131912	131915	131916	131920	131925	131930						
14	20	14	20			142010	142012	142015	142016	142020	142025	142030						
15	21	15	21	+0.034 +0.016		152110	152112	152115	152116	152120	152125	152130	152135					
16	22	16	22	+0.021 +0.008		162210	162212	162215	162216	162220	162225	162230	162235	162240				
18	24	18	24			182410	182412	182415	182416	182420	182425	182430	182435	182440				
20	28	20	28			202810	202812	202815	202816	202820	202825	202830	202835	202840	202850			
22	32	22	32				223212	223215	223216	223220	223225	223230	223235	223240	223250			
25	33	25	33	+0.041 +0.020			253312	253315	253316	253320	253325	253330	253335	253340	253350	253360		
30	38	30	38				303812	303815	303816	303820	303825	303830	303835	303840	303850	303860		
35	45	35	45	+0.025 +0.009						354520	354525	354530	354535	354540	354550	354560	354570	
40	50	40	50							405020	405025	405030	405035	405040	405050	405060	405070	405080
45	55	45	55	+0.050 +0.025								455530	455535	455540	455550	455560	455570	455580
50	60	50	60									506030	506035	506040	506050	506060	506070	506080

## KS0B650 自润滑直套轴承标准公制尺寸 KS0B650 Self-lubricating Sleeve Bearings Standard Metric Size

单位Unit: mm

d	D	dF7		Dm6		L <sup>-0.10</sup> L <sub>-0.30</sub>											
						30	35	40	50	60	70	80	100	120	130	140	150
50	62	50	+0.050 +0.025	62		506230	506235	506240	506250	506260	506270						
50	65	50		65		506530	506535	506540	506550	506560	506570	506580	5065100				
55	70	55		70		557030	557035	557040	557050	557060	557070	557080	5570100				
60	74	60		75	+0.030 +0.011	607430	607435	607440	607450	607460	607470	607480	6074100				
60	75	60		75		607530	607535	607540	607550	607560	607570	607580	6075100				
63	75	63		75			637535	637540	637550	637560	637570	637580	6375100				
65	80	65		80			658035	658040	658050	658060	658070	658080	6580100				
70	85	70	+0.060 +0.030	85			708535	708540	708550	708560	708570	708580	7085100				
70	90	70		90			709035	709040	709050	709060	709070	709080	7090100				
75	90	75		90				759040	759050	759060	759070	759080	7590100				
75	95	75		95	+0.035 +0.013			759540	759550	759560	759570	759580	7595100	7595120			
80	96	80		96				809640	809650	809660	809670	809680	8096100	8096120	8096130		
80	100	80		100				8010040	8010050	8010060	8010070	8010080	80100100	80100120	80100130	80100140	
90	110	90		110					9011050	9011060	9011070	9011080	90110100	90110120	90110130	90110140	
100	120	100	+0.071 +0.036	120						10012060	10012070	10012080	100120100	100120120	100120130	100120140	
110	130	110		130								11013080	110130100	110130120	110130130	110130140	
120	140	120		140								12014080	120140100	120140120	120140130	120140140	
125	145	125		145									125145100	125145120	125145130	125145140	
130	150	130		150	+0.040 +0.015								130150100	130150120	130150130	130150140	130150150
140	160	140	+0.083 +0.043	160									140160100	140160120	140160130	140160140	140160150
150	170	150		170									150170100	150170120	150170130	150170140	150170150
160	180	160		180									160180100	160180120	160180130	160180140	160180150