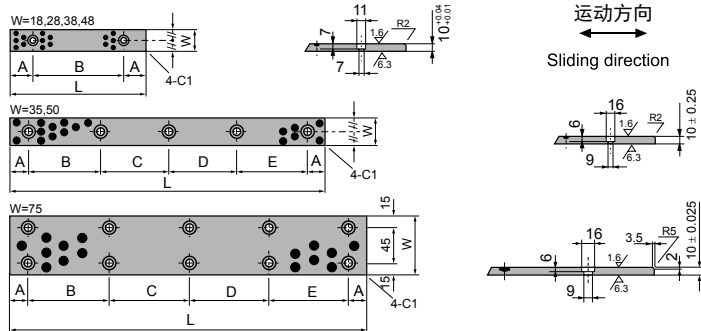


KSOB-JSP 滑板标准公制尺寸 KSOB-JSP Wear Plates Standard Metric Size



单位Unit: mm

型号规格 Standard No.	W	L	A	B	C	D	E	平头螺钉尺寸 Flat Head Screw Size	孔数 Q'ty of holes			
KSOB-JSP-1875	18	75	15	45				M6	2			
KSOB-JSP-18100		100	25	50								
KSOB-JSP-18125		125		75								
KSOB-JSP-18150		150	100									
KSOB-JSP-2875	28	75	15	45						M8	3	
KSOB-JSP-28100		100	25	50								
KSOB-JSP-28125		125		75								
KSOB-JSP-28150		150	100									
KSOB-JSP-35100	35	100	20	60				M8	4			
KSOB-JSP-35150		150		55	55							
KSOB-JSP-35200		200		55	50	55						
KSOB-JSP-35250		250		70	70	70						
KSOB-JSP-35300		300		65	65	65	65					
KSOB-JSP-35350		350		80	75	75	80					
KSOB-JSP-3875	38	75	15	45						M6	2	
KSOB-JSP-38100		100	25	50								
KSOB-JSP-38125		125		75								
KSOB-JSP-38150		150	100									
KSOB-JSP-4875	48	75	15	45				M8	3			
KSOB-JSP-48100		100	25	50								
KSOB-JSP-48125		125		75								
KSOB-JSP-48150		150	100									
KSOB-JSP-50100	50	100	20	60						M8	4	
KSOB-JSP-50150		150		55	55							
KSOB-JSP-50200		200		55	50	55						
KSOB-JSP-50250		250		70	70	70						
KSOB-JSP-50300		300		65	65	65	65					
KSOB-JSP-50400		400		90	90	90	90					
KSOB-JSP-75150	75	150	20	110				M8	5			
KSOB-JSP-75200		200		80	80							
KSOB-JSP-75250		250		105	105							
KSOB-JSP-75300		300		85	90	85						
KSOB-JSP-75400		400		120	120	120						
KSOB-JSP-75500		500		115	115	115	115					