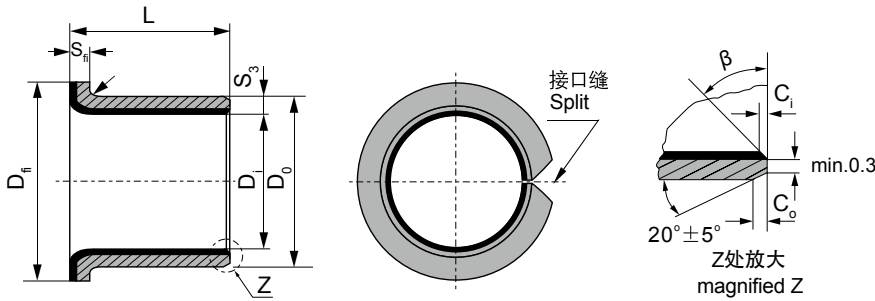


## KSQB-10F 翻边轴套规格及公差 KSQB-10F Flange Bushing Specification & Tolerance



S <sub>3</sub>	1.0	1.5	2.0	2.5
r	1 <sup>-0.5</sup>	1±0.5	1.5±0.5	2±0.5

单位Unit: mm

轴径(f7) Shaft D <sub>s</sub>	座孔(H7) Housing D <sub>H</sub>	(OD) 外径公差 Tolerance D <sub>O</sub>	(ID)压装后 内孔公差 After fixed D <sub>ia</sub>	配合间隙 Clearance C <sub>O</sub>	Designation 型号规格	Wall thickness 壁厚 S <sub>3</sub>	尺寸 Dimension				
							D <sub>i</sub>	D <sub>O</sub>	D <sub>H</sub> ±0.5	L±0.25	S <sub>H</sub> -0.2
6 -0.013 -0.028	8 +0.015	8 +0.055 +0.025	6.055 5.990	0.077 0.000	HLDB-10F06040	1.005 0.980	6	8	12	4	1
					HLDB-10F06070					7	
8 -0.013 -0.028	10 +0.015	10 +0.055 +0.025	8.055 7.990	0.083 0.003	HLDB-10F08055	1.005 0.980	8	10	15	5.5	1
					HLDB-10F08075					7.5	
10 -0.016 -0.034	12 +0.018	12 +0.055 +0.025	10.058 9.990	0.086 0.003	HLDB-10F10070	1.005 0.980	10	12	18	7	1
					HLDB-10F10090					9	
					HLDB-10F10120					12	
12 -0.016 -0.034	14 +0.018	14 +0.065 +0.030	12.058 11.990	0.092 0.006	HLDB-10F12070	1.005 0.980	12	14	20	7	1
					HLDB-10F12090					9	
					HLDB-10F12120					12	
14 -0.016 -0.034	16 +0.018	16 +0.065 +0.030	14.058 13.990	0.092 0.006	HLDB-10F14120	1.005 0.980	14	16	22	12	1
					HLDB-10F14170					17	
					HLDB-10F15090					9	
15 -0.016 -0.034	17 +0.018	17 +0.065 +0.030	15.058 14.990	0.092 0.006	HLDB-10F15120	1.005 0.980	15	17	23	12	1
					HLDB-10F15170					17	
					HLDB-10F16120					12	
16 -0.016 -0.034	18 +0.018	18 +0.065 +0.030	16.058 15.990	0.092 0.006	HLDB-10F16170	1.005 0.980	16	18	24	17	1
					HLDB-10F18120					12	
					HLDB-10F18170					17	
18 -0.016 -0.034	20 +0.021	20 +0.075 +0.035	18.061 17.990	0.095 0.006	HLDB-10F18200	1.005 0.980	18	20	26	20	1
					HLDB-10F20115					11.5	
					HLDB-10F20165					16.5	
20 -0.020 -0.041	23 +0.021	23 +0.075 +0.035	20.071 19.990	0.112 0.010	HLDB-10F20215	1.505 1.475	20	23	30	21.5	1.5
					HLDB-10F22150					15	
					HLDB-10F22200					20	
22 -0.020 -0.041	25 +0.021	25 +0.075 +0.035	22.071 21.990	0.112 0.010	HLDB-10F25115	1.505 1.475	22	25	32	11.5	1.5
					HLDB-10F25165					16.5	
					HLDB-10F25215					21.5	
25 -0.020 -0.041	28 +0.021	28 +0.075 +0.035	25.071 24.990	0.112 0.010	HLDB-10F30160	2.005 1.970	25	28	35	11.5	2
					HLDB-10F30260					16	
					HLDB-10F35160					16	
30 -0.025 -0.050	34 +0.025	34 +0.075 +0.035	30.085 29.990	0.126 0.010	HLDB-10F35260	2.005 1.970	30	34	42	26	2
					HLDB-10F40260					16	
					HLDB-10F40400					26	
35 -0.025 -0.050	39 +0.025	39 +0.085 +0.045	35.085 34.990	0.135 0.015	HLDB-10F40260	2.005 1.970	35	39	47	26	2
					HLDB-10F40260					26	
					HLDB-10F40400					40	
40 -0.025 -0.050	44 +0.025	44 +0.085 +0.045	40.085 39.990	0.135 0.015	HLDB-10F40400	2.005 1.970	40	44	53	40	2